

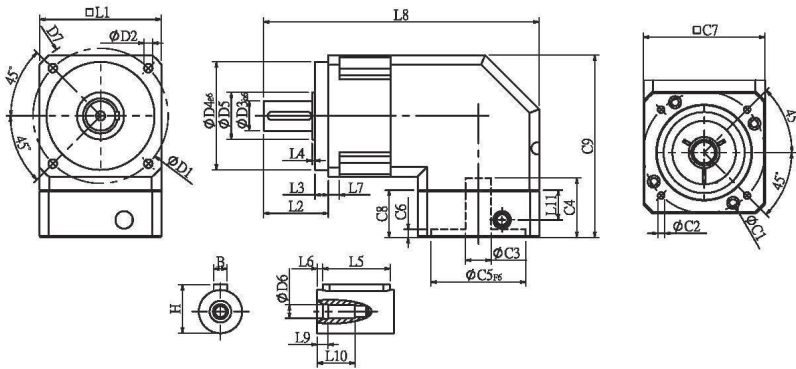


FICOPA (Recinto Ferial Gipuzkoa)
AVDA. IPARRALDE, 43 - ROOM 3
20302 IRUN-GIPUZKOA (SPAIN)

☎ 00 34 646 211965
✉ RCC@RCCINDUSTRIAL.COM
📍 RCCINDUSTRIAL

WWW.RCCINDUSTRIAL.COM

● PGR Single Stage Dimensions PGR單段外型尺寸圖



● Specifications 規格

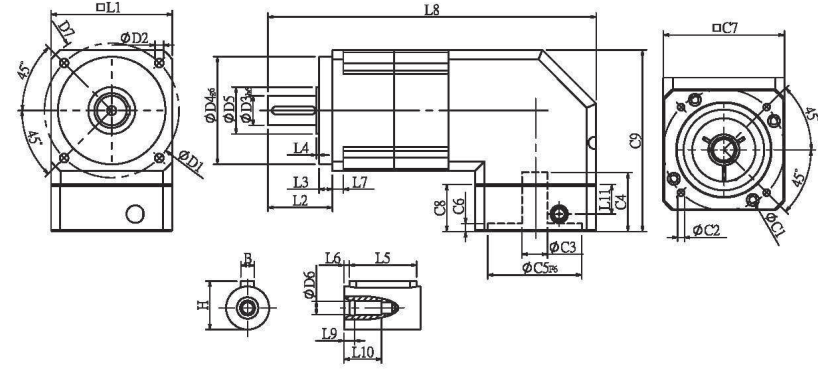
Unit:mm

| 尺寸 Dimensions | PGR42 | PGR60 | PGR90 | PGR115 | PGR142 | PGR180 | PGR220 |
|--------------------|---------|---------|----------|-----------|----------|--------|--------|
| D1 | 50 | 70 | 100 | 130 | 165 | - | - |
| D2 | 3.4 | 5.5 | 6.5 | 8.5 | 10.5 | - | - |
| D3 h6 | 13 | 16 | 22 | 32 | 40 | - | - |
| D4 g6 | 35 | 50 | 80 | 110 | 130 | - | - |
| D5 | 15 | 25 | 35 | 45 | 50 | - | - |
| D6 | M4x0.7P | M5x0.8P | M8x1.25P | M12x1.75P | M16x2.0P | - | - |
| D7 | 56 | 80 | 118 | 148 | 186 | - | - |
| L1 | 42.6 | 60 | 90 | 115 | 142 | - | - |
| L2 | 26 | 37 | 48 | 62 | 93 | - | - |
| L3 | 5.5 | 7 | 10 | 8 | 8 | - | - |
| L4 | 1.5 | 1.5 | 1.5 | 3 | 6 | - | - |
| L5 | 15 | 25 | 32 | 40 | 60 | - | - |
| L6 | 2 | 2 | 3 | 5 | 5 | - | - |
| L7 | 4 | 6 | 8 | 12 | 18 | - | - |
| L8 | 103.6 | 148.7 | 204 | 244.5 | 330 | - | - |
| L9 | 4 | 4 | 4.5 | 6 | 6 | - | - |
| L10 | 14 | 16.5 | 20.5 | 30 | 38 | - | - |
| L11 | 13.5 | 21.5 | 22 | 32 | 44.7 | - | - |
| C1 ² | 46 | 70 | 90 | 115 | 145 | - | - |
| C2 ² | M4x0.7P | M5x0.8P | M6x1.0P | M8x1.25P | M8x1.25P | - | - |
| C3 ² | ≤8 | ≤14 | ≤19/≤24 | ≤24 | ≤35 | - | - |
| C4 ² | 29 | 34 | 44 | 53 | 75 | - | - |
| C5 ^{2 F8} | 30 | 50 | 70 | 95 | 110 | - | - |
| C6 ² | 6 | 5 | 5 | 6 | 9 | - | - |
| C7 ² | 42.6 | 60 | 90 | 115 | 140 | - | - |
| C8 ² | 25 | 33 | 35 | 48 | 65 | - | - |
| C9 ² | 70.8 | 107.8 | 135 | 174.5 | 207 | - | - |
| B | 5 | 5 | 6 | 10 | 12 | - | - |
| H | 15 | 18 | 24.5 | 35 | 43 | - | - |

★ C1~C9是公製標準馬達連接板尺寸,請依所選用的馬達決定。
★ 本公司有權針對以上數據規格進行設計變更不先行告知。

★ C1~C9 are motor specific dimensions(metric std shown).
Size may vary according to the motor flange chosen.
★ Specification subject to change without notice.

● PGR Double Stage Dimensions-1 PGR雙段外型尺寸圖-1



● Specifications 規格

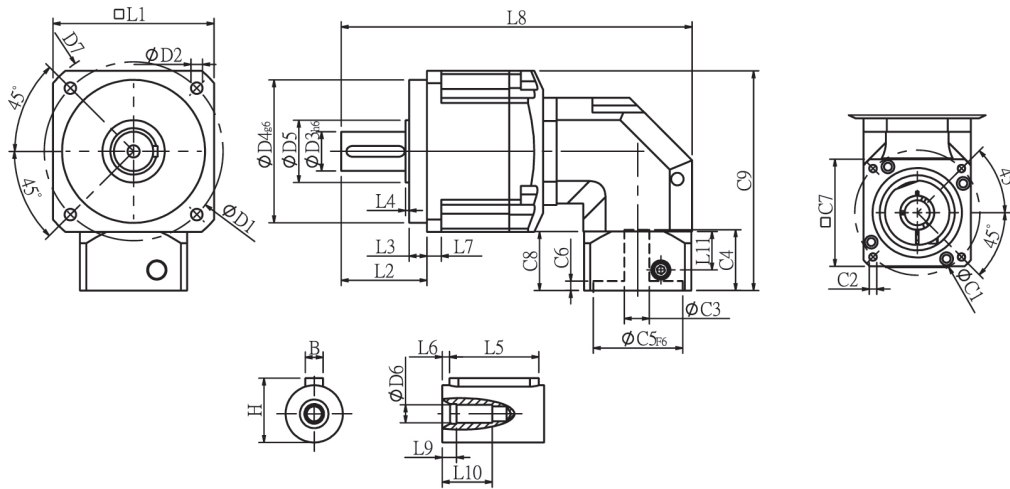
Unit:mm

| 尺寸 Dimensions | PGR42 | PGR60 | PGR90 | PGR115 | PGR142 |
|--------------------|---------|---------|----------|-----------|----------|
| D1 | 50 | 70 | 100 | 130 | 165 |
| D2 | 3.4 | 5.5 | 6.5 | 8.5 | 10.5 |
| D3 h6 | 13 | 16 | 22 | 32 | 40 |
| D4 g6 | 35 | 50 | 80 | 110 | 130 |
| D5 | 15 | 25 | 35 | 45 | 50 |
| D6 | M4x0.7P | M5x0.8P | M8x1.25P | M12x1.75P | M16x2.0P |
| D7 | 56 | 80 | 118 | 148 | 186 |
| L1 | 42.6 | 60 | 90 | 115 | 142 |
| L2 | 26 | 37 | 48 | 62 | 93 |
| L3 | 5.5 | 7 | 10 | 8 | 8 |
| L4 | 1.5 | 1.5 | 1.5 | 3 | 6 |
| L5 | 15 | 25 | 32 | 40 | 60 |
| L6 | 2 | 2 | 3 | 5 | 5 |
| L7 | 4 | 6 | 8 | 12 | 18 |
| L8 | 129.6 | 176.7 | 244 | 292.5 | 391 |
| L9 | 4 | 4 | 4.5 | 6 | 6 |
| L10 | 14 | 16.5 | 20.5 | 30 | 38 |
| L11 | 13.5 | 21.5 | 22 | 32 | 44.7 |
| C1 ² | 46 | 70 | 90 | 115 | 145 |
| C2 ² | M4x0.7P | M5x0.8P | M6x1.0P | M8x1.25P | M8x1.25P |
| C3 ² | ≤8 | ≤14 | ≤19/≤24 | ≤24 | ≤35 |
| C4 ² | 29 | 34 | 44 | 53 | 75 |
| C5 ^{2 F8} | 30 | 50 | 70 | 95 | 110 |
| C6 ² | 6 | 5 | 5 | 6 | 9 |
| C7 ² | 42.6 | 60 | 90 | 115 | 140 |
| C8 ² | 25 | 33 | 35 | 48 | 65 |
| C9 ² | 70.8 | 107.8 | 135 | 174.5 | 207 |
| B | 5 | 5 | 6 | 10 | 12 |
| H | 15 | 18 | 24.5 | 35 | 43 |

★ C1~C9是公製標準馬達連接板尺寸,請依所選用的馬達決定。
★ 本公司有權針對以上數據規格進行設計變更不先行告知。

★ C1~C9 are motor specific dimensions(metric std shown).
Size may vary according to the motor flange chosen.
★ Specification subject to change without notice.

PGR Double Stage Dimensions-2 PGR雙段外型尺寸圖-2



Specifications 規格

Unit:mm

| 尺寸 Dimensions | PGR60T | PGR90T | PGR115T | PGR142T | PGR180T | PGR220T |
|--------------------|---------|----------|-----------|----------|----------|---------|
| D1 | 70 | 100 | 130 | 165 | 215 | - |
| D2 | 5.5 | 6.5 | 8.5 | 10.5 | 13 | - |
| D3h6 | 16 | 22 | 32 | 40 | 55 | - |
| D4g6 | 50 | 80 | 110 | 130 | 160 | - |
| D5 | 25 | 35 | 45 | 50 | 70 | - |
| D6 | M5x0.8P | M8x1.25P | M12x1.75P | M16x2.0P | M20x2.5P | - |
| D7 | 80 | 118 | 148 | 186 | 239 | - |
| L1 | 60 | 90 | 115 | 142 | 182 | - |
| L2 | 37 | 48 | 62 | 93 | 104.5 | - |
| L3 | 7 | 10 | 8 | 8 | 20 | - |
| L4 | 1.5 | 1.5 | 3 | 6 | 2.5 | - |
| L5 | 25 | 32 | 40 | 60 | 70 | - |
| L6 | 2 | 3 | 5 | 5 | 6 | - |
| L7 | 6 | 8 | 12 | 18 | 16 | - |
| L8 | 145.1 | 196.2 | 269.4 | 343.5 | 419.5 | - |
| L9 | 4 | 4.5 | 6 | 6 | 8 | - |
| L10 | 16.5 | 20.5 | 30 | 38 | 48 | - |
| L11 | 13.5 | 21.5 | 22 | 32 | 44.7 | - |
| C1 ² | 46 | 70 | 90 | 115 | 145 | - |
| C2 ² | M4x0.7P | M5x0.8P | M6x1.0P | M8x1.25P | M8x1.25P | - |
| C3 ² | ≤8 | ≤14 | ≤19/≤24 | ≤24 | ≤35 | - |
| C4 ² | 29 | 34 | 44 | 53 | 75 | - |
| C5 ² F6 | 30 | 50 | 70 | 95 | 110 | - |
| C6 ² | 6 | 5 | 5 | 6 | 9 | - |
| C7 ² | 42.6 | 60 | 90 | 115 | 140 | - |
| C8 ² | 25 | 33 | 35 | 48 | 65 | - |
| C9 ² | 79.5 | 122.8 | 147.5 | 188 | 207 | - |
| B | 5 | 6 | 10 | 12 | 16 | - |
| H | 18 | 24.5 | 35 | 43 | 59 | - |

★ C1~C9是公製標準馬達連接板尺寸,請依所選用的馬達決定。

★ 本公司有權針對以上數據規格進行設計變更不先行告知。

★ C1~C9 are motor specific dimensions(metric std shown), Size may vary according to the motor flange chosen.

★ Specification subject to change without notice.